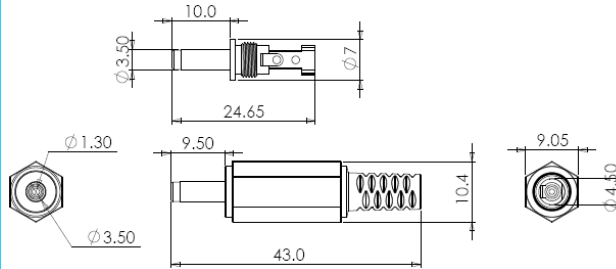


# DC POWER CONNECTORS

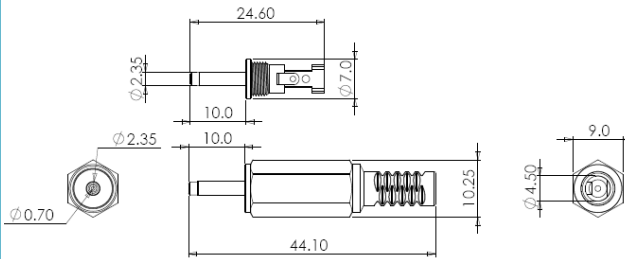
**CH-1204B**

**1.3 X 3.5X 9.5 DC CABLE PLUG ASS'Y**



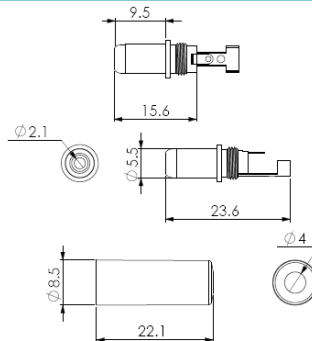
**CH-1099A**

**0.7 X 2.35 X 10 DC CABLE PLUG ASS'Y**



**CH-1022A**

**2.1 X 5.5 DC CABLE PLUG ASS'Y**



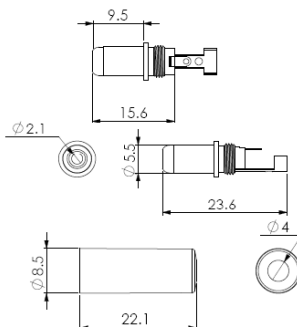
COLOR : BLACK

SPECIFICATION :

**Contact Resistance :**  
30mΩ max. ( initial )  
**Insulation Resistance :**  
100MΩ min. at 500V DC  
**Voltage Withstand :**  
500V AC for 1 minute

**CH-1022ARED**

**2.1 X 5.5 DC CABLE PLUG ASS'Y**



COLOR : RED

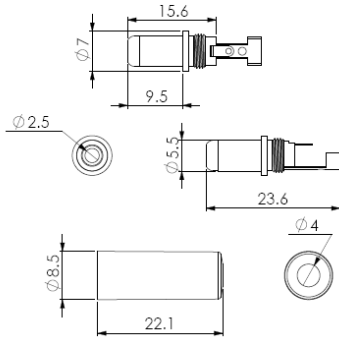
SPECIFICATION :

**Contact Resistance :**  
30mΩ max. ( initial )  
**Insulation Resistance :**  
100MΩ min. at 500V DC  
**Voltage Withstand :**  
500V AC for 1 minute

# DC POWER CONNECTORS

**CH-1022B**

**2.5 X 5.5 DC CABLE PLUG ASS'Y**



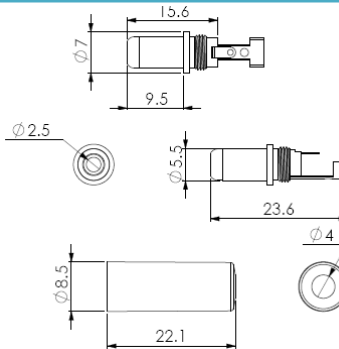
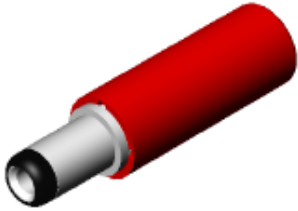
COLOR : BLACK

SPECIFICATION :

**Contact Resistance :**  
30mΩ max. ( initial )  
**Insulation Resistance :**  
100MΩ min. at 500V DC  
**Voltage Withstand :**  
500V AC for 1 minute

**CH-1022BRED**

**2.5 X 5.5 DC CABLE PLUG ASS'Y**



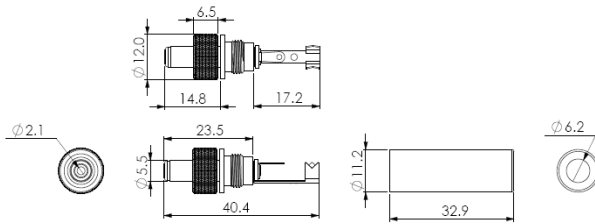
COLOR : RED

SPECIFICATION :

**Contact Resistance :**  
30mΩ max. ( initial )  
**Insulation Resistance :**  
100MΩ min. at 500V DC  
**Voltage Withstand :**  
500V AC for 1 minute

**CH-1022AL**

**2.1 X 5.5 DC CABLE PLUG SCREW LOCKING ASS'Y**

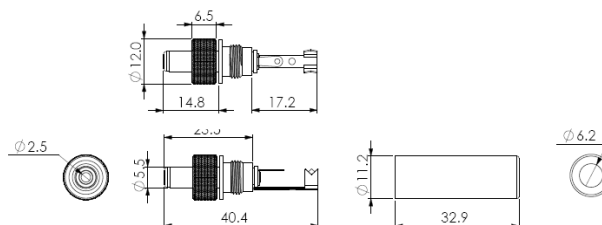


SPECIFICATION :

**contact resistance :**  
30mΩ MAX (initial)  
**insulation resistance :**  
MIN 100 MEGΩ @500V DC  
**voltage withstand :**  
500V AC for 1 minute

**CH-1022BL**

**2.5 X 5.5 DC CABLE PLUG SCREW LOCKING ASS'Y**



SPECIFICATION :

**contact resistance :**  
30mΩ MAX (initial)  
**insulation resistance :**  
MIN 100 MEGΩ @500V DC  
**voltage withstand :**  
500V AC for 1 minute